

Cannon

Recommended paper thickness:

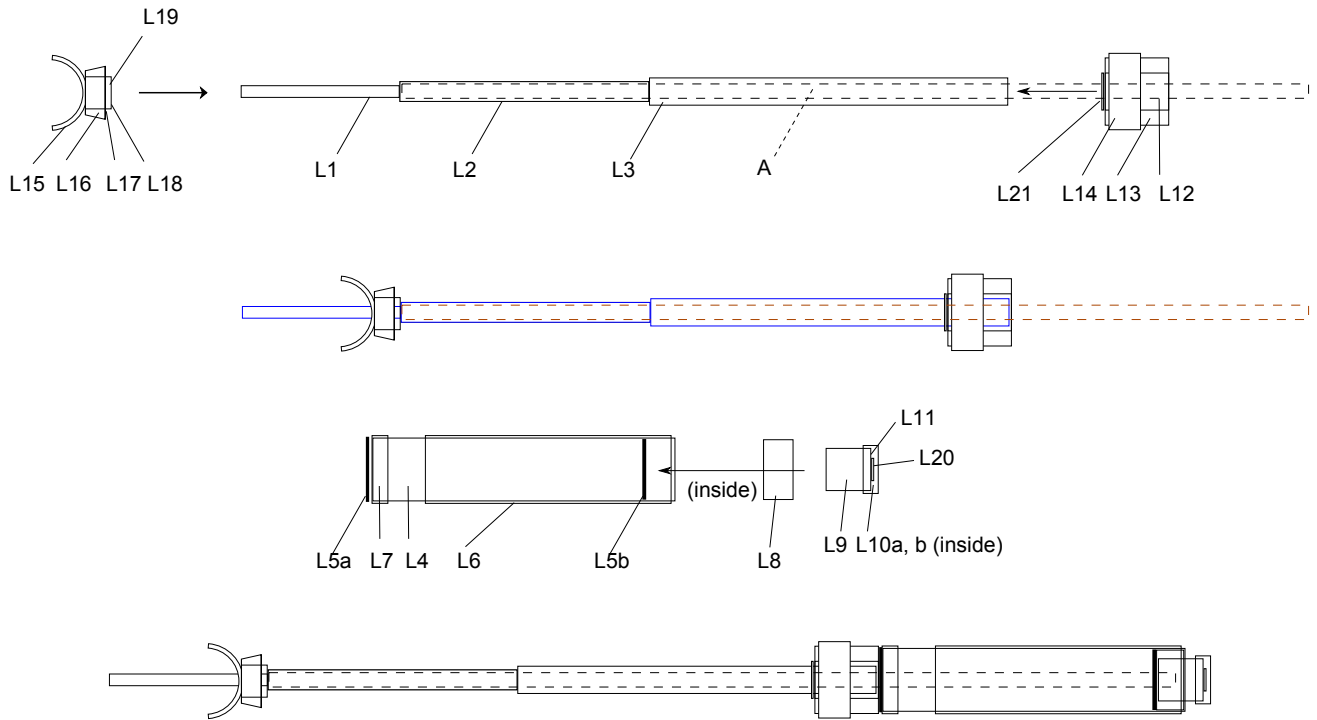
~0,15 mm (80-100 gsm) if not specified otherwise

~0,25 mm for parts 6, 6a, 7, 13, 15b 16, 20

~0,5 mm for parts 14, 6b

~1 mm for part 6c

part A: use a round piece of wood (plastic, etc.) - diameter 2mm, length 120mm



1:1